



Compressor Selection: Semi-hermetic Reciprocating Compressors

Input Values

Compressor model Mode	(6H-35.2) Refrigeration and Air conditioning	Suction gas temperature Operating mode	20,00 °C Auto
Reference temperature Liq. subc. (in condenser)	Dew point temp. 0 K	Power supply Capacity Control Useful superheat	400V-3-50Hz 100% 100%

Result

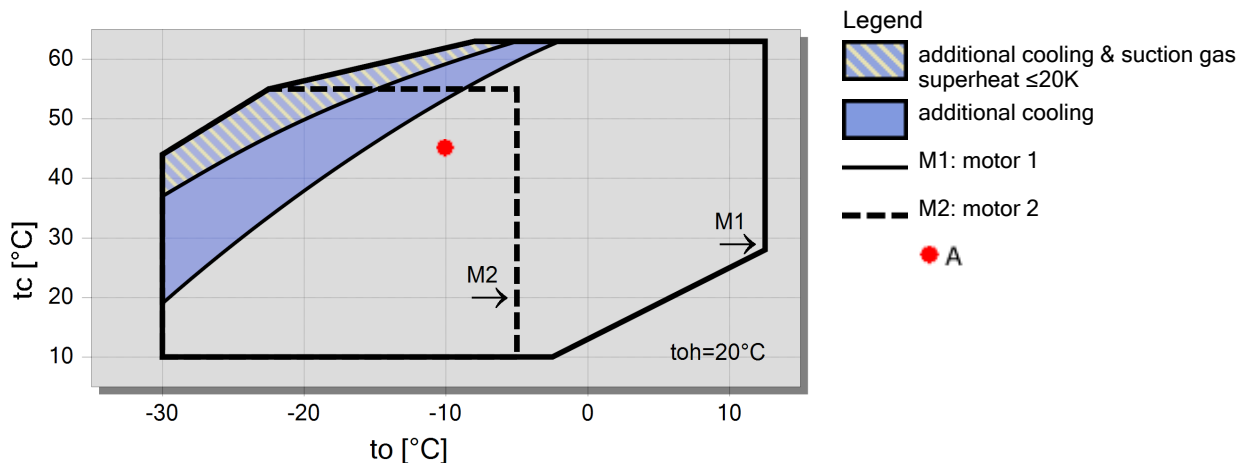
Q [W]	Cooling capacity	COP [-]	COP/EER
Q* [W]	Cooling capacity *	COP* [-]	COP/EER *
P [kW]	Power input	m [kg/h]	Mass flow
I [A]	Current	Op.	Operating mode
Qc [W]	Condenser Capacity	th [°C]	Discharge gas temp. w/o cooling

tc	to	10°C	0°C	-10°C	-20°C	-30°C	-40°C	-50°C	-60°C
30°C	Q [W]	136889	95635	64503	41318	24412	--	--	--
	Q* [W]	136889	95635	64503	41318	24412	--	--	--
	P [kW]	20,6	19,27	17,24	14,52	11,12	--	--	--
	I [A]	38,5	36,6	34,0	30,6	27,0	--	--	--
	Qc [W]	157515	114908	81739	55836	35531	--	--	--
	COP [-]	6,64	4,96	3,74	2,85	2,20	--	--	--
	COP* [-]	6,64	4,96	3,74	2,85	2,20	--	--	--
	m [kg/h]	2736	1877	1250	793	465	--	--	--
	Op.	Standard	Standard	Standard	Standard	Standard	--	--	--
	th [°C]	64,4	80,5	99,2	121,4	0	--	--	--
40°C	Q [W]	123484	85970	57581	36395	20921	--	--	--
	Q* [W]	123484	85970	57581	36395	20921	--	--	--
	P [kW]	24,7	22,6	19,78	16,29	12,14	--	--	--
	I [A]	44,3	41,2	37,3	32,8	28,0	--	--	--
	Qc [W]	148213	108566	77362	52686	33058	--	--	--
	COP [-]	4,99	3,80	2,91	2,23	1,72	--	--	--
	COP* [-]	4,99	3,80	2,91	2,23	1,72	--	--	--
	m [kg/h]	2660	1816	1199	750	428	--	--	--
	Op.	Standard	Standard	Standard	Standard	Standard	--	--	--
	th [°C]	77,2	94,4	114,7	139,3	0	--	--	--
50°C	Q [W]	110793	76756	50943	31666	--	--	--	--
	Q* [W]	110793	76756	50943	31666	--	--	--	--
	P [kW]	28,8	25,9	22,3	17,92	--	--	--	--
	I [A]	50,2	46,0	40,8	34,8	--	--	--	--
	Qc [W]	139565	102657	73210	49589	--	--	--	--
	COP [-]	3,85	2,96	2,29	1,77	--	--	--	--
	COP* [-]	3,85	2,96	2,29	1,77	--	--	--	--
	m [kg/h]	2597	1761	1151	708	--	--	--	--
	Op.	Standard	Standard	Standard	Standard	--	--	--	--
	th [°C]	90,2	108,7	130,8	0	--	--	--	--

-- No calculation possible (see message in single point selection)

*According to EN12900 (20°C suction gas temp., 0K liquid subcooling)

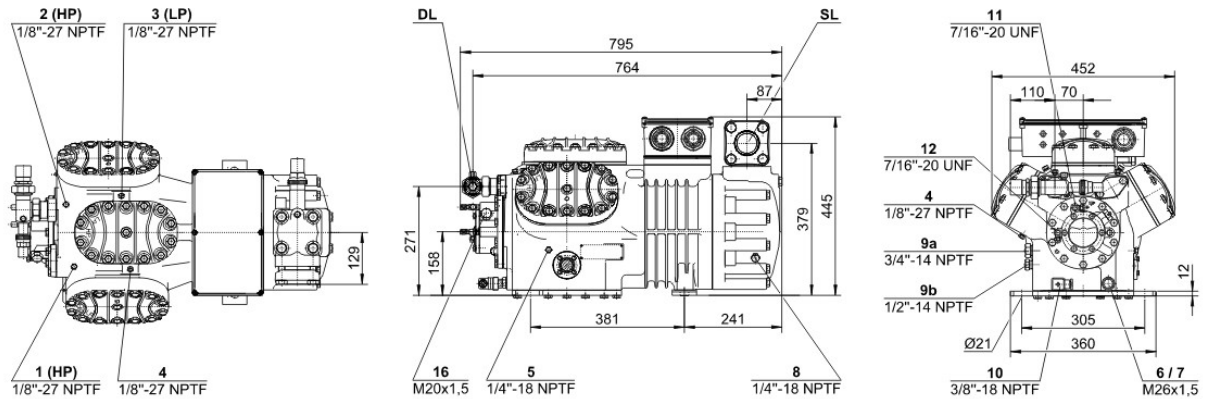
Application Limits 100%





Technical Data: (6H-35.2)

Dimensions and Connections



Technical Data

Technical Data

Displacement (1450 RPM 50Hz)	110,5 m ³ /h
Displacement (1750 RPM 60Hz)	133,4 m ³ /h
No. of cylinder x bore x stroke	6 x 70 mm x 55 mm
Weight	235 kg
Max. pressure (LP/HP)	19 / 28 bar
Connection suction line	54 mm - 2 1/8"
Connection discharge line	35 mm - 1 3/8"
Connection cooling water	R 3/4"
Oil type R134a/R407C/R404A/R507A/R407A/R407F	tc<55°C: BSE32 / tc>55°C: BSE55 (Option)
Oil type R22 (R12/R502)	B5.2 (Standard)
Oil type R290/R1270	SHC226E (Standard)

Motor data

Motor voltage (more on request)	380-420V PW-3-50Hz
Max operating current	61.0 A
Winding ratio	50/50
Starting current (Rotor locked)	147.0 A Y / 262.0 A YY
Max. Power input	37,4 kW

Extent of delivery (Standard)

Motor protection	SE-B2
Enclosure class	IP54 (Standard), IP66 (Option)
Vibration dampers	Standard
Oil charge	4,75 dm ³

Available Options

Discharge gas temperature sensor	Option
Start unloading	Option
Capacity control	100-66-33% (Option)
Additional fan	Option
Water-cooled cylinder heads	Option
Oil service valve	Option
Crankcase heater	140 W (Option)
Oil pressure monitoring	MP54 (Option), Delta-PII (Option, not for R290/R1270)

Sound measurement

Sound power level (+5°C / 50°C)	81,5 dB(A) @ 50Hz
Sound power level (-10°C / 45°C)	82,0 dB(A) @ 50Hz
Sound power level (-35°C / 40°C)	(90,5) dB(A) @ 50Hz
Sound pressure level @ 1m (+5°C / 50°C)	73,5 dB(A) @ 50Hz
Sound pressure level @ 1m (-10°C / 45°C)	74,0 dB(A) @ 50Hz
Sound pressure level @ 1m (-35°C / 40°C)	(82,5) dB(A) @ 50Hz